

# Collection Louise

## TECHNICAL DATA SHEET



# Technical information

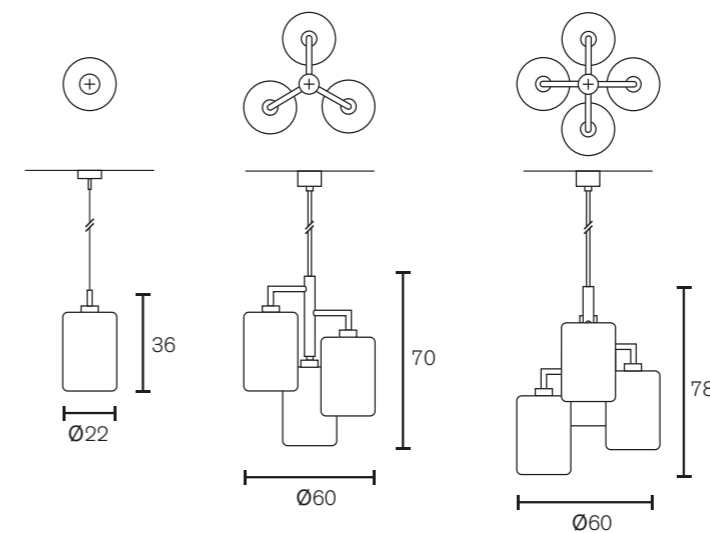
## Collection Louise 2018

### Lanterns

Art.nr.	Finish
GLLOBRO22	Louise, Glass Bronze Ø22cm
GLLOGREY22	Louise, Glass Grey Ø22cm
GLLOIRI22	Louise, Glass Iridescent Ø22cm
GLLOSAT22	Louise, Glass Clear Satin Ø22cm

### Hanging Lamp

Art.nr.	Dimensions	Light bulb	Weight	Finish
LO1BLM	Ø22xH.36 cm	1x E27	2.4 kg	black matt finish
LO1N	Ø22xH.36 cm	1x E27	2.4 kg	nickel finish
LO1BR	Ø22xH.36 cm	1x E27	2.4 kg	brass finish
LO1BRBUR	Ø22xH.36 cm	1x E27	2,4 kg	brass burnished finish
LO1NA	Ø22xH.36 cm	1x E27	2.4 kg	nickel aged finish
LO3BLM	Ø60xH.70 cm	3x E27	11.5 kg	black matt finish
LO3N	Ø60xH.70 cm	3x E27	11.5 kg	nickel finish
LO3BR	Ø60xH.70 cm	3x E27	11.5 kg	brass finish
LO3BRBUR	Ø60xH.70 cm	3x E27	11,5 kg	brass burnished finish
LO3NA	Ø60xH.70 cm	3x E27	11.5 kg	nickel aged finish
LO4BLM	Ø60xH.78 cm	4x E27	14.0 kg	black matt finish
LO4N	Ø60xH.78 cm	4x E27	14.0 kg	nickel finish
LO4BR	Ø60xH.78 cm	4x E27	14.0 kg	brass finish
LO4BRBUR	Ø60xH.78 cm	4x E27	14.0 kg	brass burnished finish
LO4NA	Ø60xH.78 cm	4x E27	14.0 kg	nickel aged finish



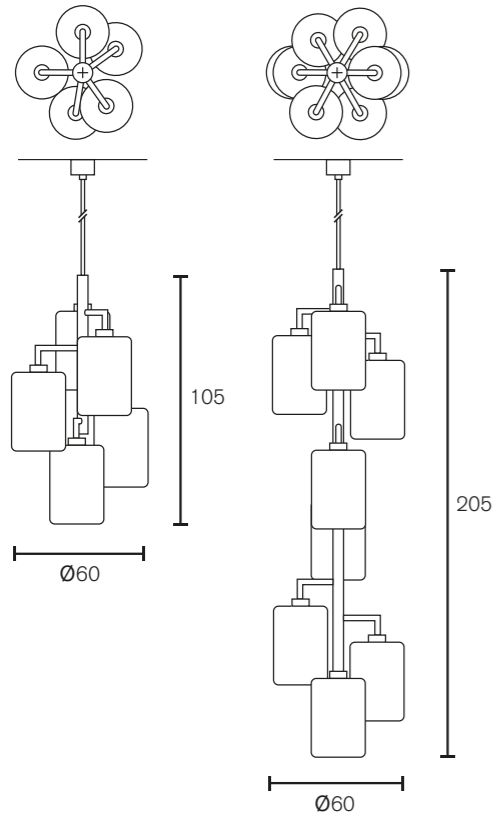
LO1 is supplied with 3 meter electrical cable and a ceiling shade. All chandeliers are supplied with 2 meter stem and a ceiling shade.

The lanterns are available in 4 different types of glass: bronze, clear satin, grey and iridescent.

# Technical information

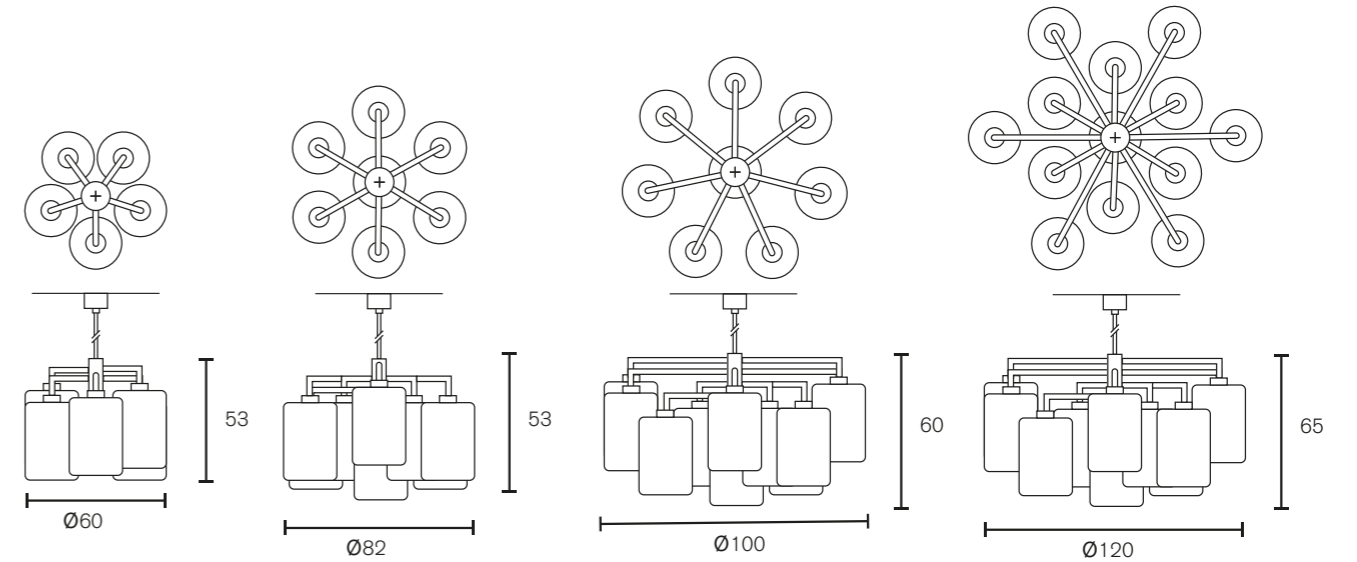
## Hanging Lamp

Art.nr.	Dimensions	Light bulb	Weight	Finish
LO5BLM	Ø60xH.105 cm	5x E27	18.0 kg	black matt finish
LO5N	Ø60xH.105 cm	5x E27	18.0 kg	nickel finish
LO5BR	Ø60xH.105 cm	5x E27	18.0 kg	brass finish
LO5BRBUR	Ø60xH.105 cm	5x E27	18,0 kg	brass burnished finish
LO5NA	Ø60xH.105 cm	5x E27	18.0 kg	nickel aged finish
LO8BLM	Ø60xH.205 cm	8x E27	28.0 kg	black matt finish
LO8N	Ø60xH.205 cm	8x E27	28.0 kg	nickel finish
LO8BR	Ø60xH.205 cm	8x E27	28.0 kg	brass finish
LO8BRBUR	Ø60xH.205 cm	8x E27	28,0 kg	brass burnished finish
LO8NA	Ø60xH.205 cm	8x E27	28.0 kg	nickel aged finish



## Chandelier Round

Art.nr.	Dimensions	Light bulb	Weight	Finish
LOC60BLM	Ø60xH.53 cm	5x E27	25.0 kg	black matt finish
LOC60N	Ø60xH.53 cm	5x E27	25.0 kg	nickel finish
LOC60BR	Ø60xH.53 cm	5x E27	25.0 kg	brass finish
LOC60BRBUR	Ø60xH.53 cm	5x E27	25.0 kg	brass burnished finish
LOC60NA	Ø60xH.53 cm	5x E27	25.0 kg	nickel aged finish
LOC80BLM	Ø82xH.53 cm	7x E27	25.0 kg	black matt finish
LOC80N	Ø82xH.53 cm	7x E27	25.0 kg	nickel finish
LOC80BR	Ø82xH.53 cm	7x E27	25.0 kg	brass finish
LOC80BRBUR	Ø82xH.53 cm	7x E27	25.0 kg	brass burnished finish
LOC80NA	Ø82xH.53 cm	7x E27	25.0 kg	nickel aged finish
LOC100BLM	Ø100xH.60 cm	8x E27	30.0 kg	black matt finish
LOC100N	Ø100xH.60 cm	8x E27	30.0 kg	nickel finish
LOC100BR	Ø100xH.60 cm	8x E27	30.0 kg	brass finish
LOC100BRBUR	Ø100xH.60 cm	8x E27	30.0 kg	brass burnished finish
LOC100NA	Ø100xH.60 cm	8x E27	30.0 kg	nickel aged finish
LOC120BLM	Ø120xH.65 cm	13x E27	40,0 kg	black matt finish
LOC120N	Ø120xH.65 cm	13x E27	40,0 kg	nickel finish
LOC120BR	Ø120xH.65 cm	13x E27	40,0 kg	brass finish
LOC120BRBUR	Ø120xH.65 cm	13x E27	40,0 kg	brass burnished finish
LOC120NA	Ø120xH.65 cm	13x E27	40,0 kg	nickel aged finish



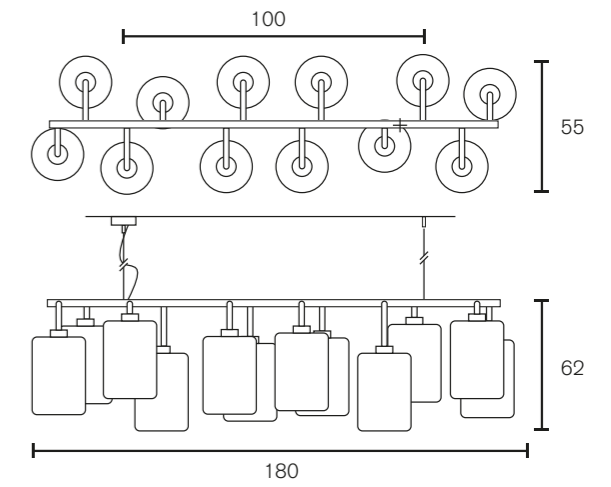
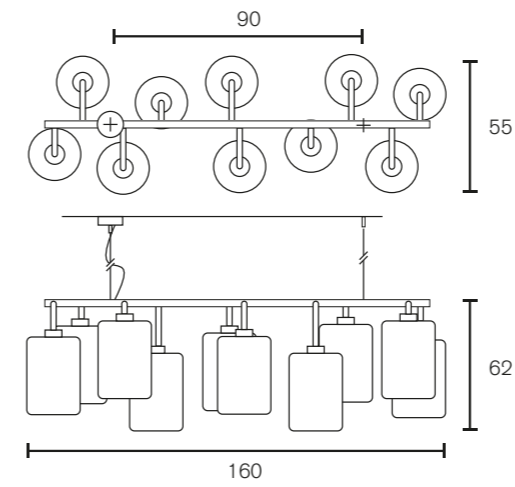
The lanterns are available in 4 different types of glass: bronze, clear satin, grey and iridescent.  
All hanging lamps are supplied with 2 meter stem and a ceiling shade

The lanterns are available in 4 different types of glass: bronze, clear satin, grey and iridescent.  
All chandeliers are supplied with 2 meter stem and a ceiling shade

# Technical information

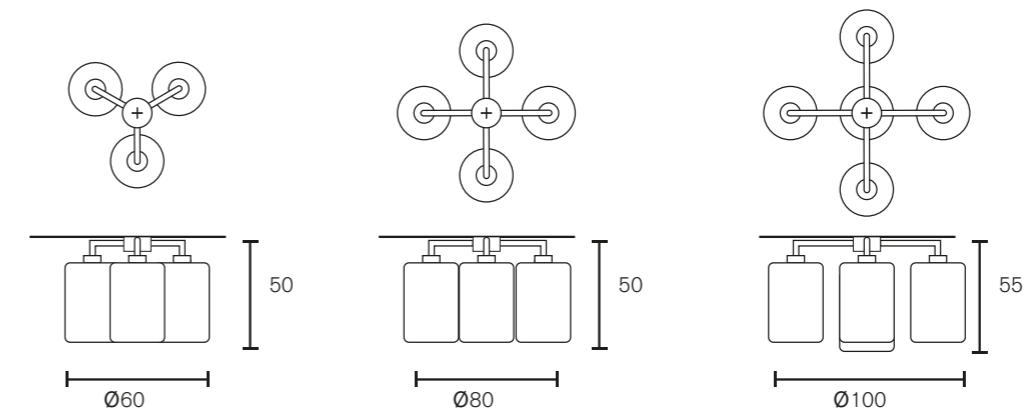
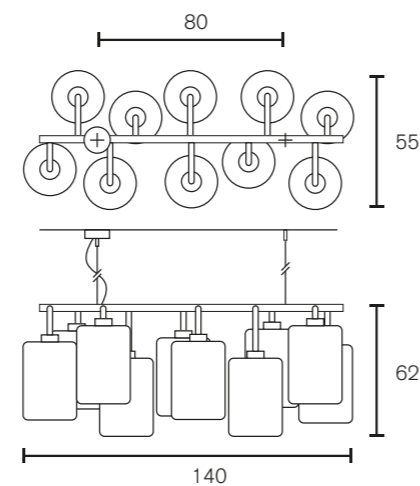
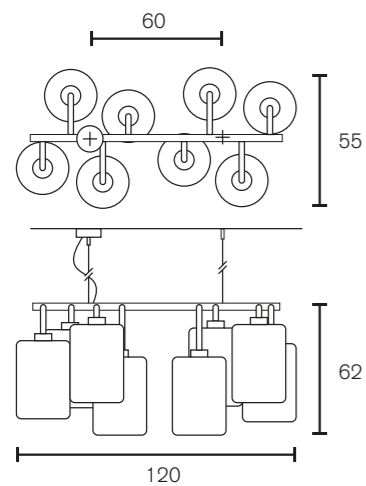
## Hanging Lamp Long

Art.nr.	Dimensions	Light bulb	Weight	Finish
LOHL120BLM	L.120xW.55xH.62 cm	8x E27	28.0 kg	black matt finish
LOHL120N	L.120xW.55xH.62 cm	8x E27	28.0 kg	nickel finish
LOHL120BR	L.120xW.55xH.62 cm	8x E27	28.0 kg	brass finish
LOHL120BRBUR	L.120xW.55xH.62 cm	8x E27	28.0 kg	brass burnished finish
LOHL120NA	L.120xW.55xH.62 cm	8x E27	28.0 kg	nickel aged finish
LOHL140BLM	L.140xW.55xH.62 cm	10x E27	32.0 kg	black matt finish
LOHL140N	L.140xW.55xH.62 cm	10x E27	32.0 kg	nickel finish
LOHL140BR	L.140xW.55xH.62 cm	10x E27	32.0 kg	brass finish
LOHL140BRBUR	L.140xW.55xH.62 cm	10x E27	32.0 kg	brass burnished finish
LOHL140NA	L.140xW.55xH.62 cm	10x E27	32.0 kg	nickel aged finish
LOHL160BLM	L.160xW.55xH.62 cm	10x E27	35.0 kg	black matt finish
LOHL160N	L.160xW.55xH.62 cm	10x E27	35.0 kg	nickel finish
LOHL160BR	L.160xW.55xH.62 cm	10x E27	35.0 kg	brass finish
LOHL160BRBUR	L.160xW.55xH.62 cm	10x E27	35.0 kg	brass burnished finish
LOHL160NA	L.160xW.55xH.62 cm	10x E27	35.0 kg	nickel aged finish
LOHL180BLM	L.180xW.55xH.62 cm	12x E27	42.0 kg	black matt finish
LOHL180N	L.180xW.55xH.62 cm	12x E27	42.0 kg	nickel finish
LOHL180BR	L.180xW.55xH.62 cm	12x E27	42.0 kg	brass finish
LOHL180BRBUR	L.180xW.55xH.62 cm	12x E27	42.0 kg	brass burnished finish
LOHL180NA	L.180xW.55xH.62 cm	12x E27	42.0 kg	nickel aged finish



## Ceiling Lamp Round

Art.nr.	Dimensions	Light bulb	Weight	Finish
LOP60BLM	Ø60xH.50 cm	3x E27	10.0 kg	black matt finish
LOP60N	Ø60xH.50 cm	3x E27	10.0 kg	nickel finish
LOP60BR	Ø60xH.50 cm	3x E27	10.0 kg	brass finish
LOP60BRBUR	Ø60xH.50 cm	3x E27	10.0 kg	brass burnished finish
LOP60NA	Ø60xH.50 cm	3x E27	10.0 kg	nickel aged finish
LOP80BLM	Ø80xH.50 cm	4x E27	15.0 kg	black matt finish
LOP80N	Ø80xH.50 cm	4x E27	15.0 kg	nickel finish
LOP80BR	Ø80xH.50 cm	4x E27	15.0 kg	brass finish
LOP80BRBUR	Ø80xH.50 cm	4x E27	15.0 kg	brass burnished finish
LOP80NA	Ø80xH.50 cm	4x E27	15.0 kg	nickel aged finish
LOP100BLM	Ø100xH.55 cm	5x E27	20.0 kg	black matt finish
LOP100N	Ø100xH.55 cm	5x E27	20.0 kg	nickel finish
LOP100BR	Ø100xH.55 cm	5x E27	20.0 kg	brass finish
LOP100BRBUR	Ø100xH.55 cm	5x E27	20.0 kg	brass burnished finish
LOP100NA	Ø100xH.55 cm	5x E27	20.0 kg	nickel aged finish



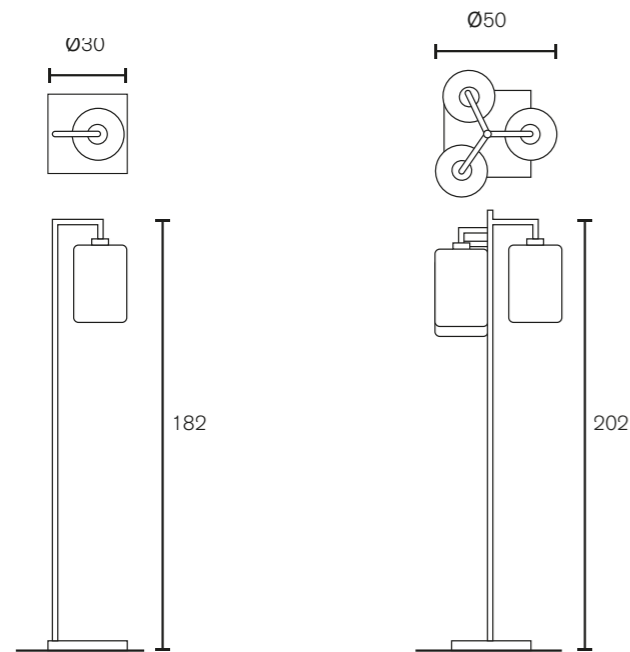
The lanterns are available in 4 different types of glass: bronze, clear satin, grey and iridescent.  
All hanging lamps are supplied with 3 meter steel cable and a ceiling shade

The lanterns are available in 4 different types of glass: bronze, clear satin, grey and iridescent.  
All hanging lamps are supplied with 3 meter steel cable, 3 meter electrical cable and a ceiling shade.

# Technical information

## Floor Lamp

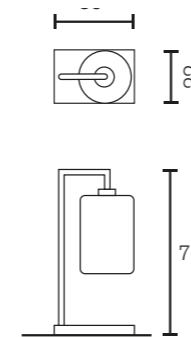
Art.nr.	Dimensions	Light bulb	Weight	Finish
LOF180BLM	Ø30xH.182 cm	1x E27	11.0 kg	black matt finish
LOF180N	Ø30xH.182 cm	1x E27	11.0 kg	nickel finish
LOF180BR	Ø30xH.182 cm	1x E27	11.0 kg	brass finish
LOF180BRBUR	Ø30xH.182 cm	1x E27	11.0 kg	brass burnished finish
LOF180NA	Ø30xH.182 cm	1x E27	11.0 kg	nickel aged finish
LOF200BLM	Ø50xH.202 cm	3x E27	16.0 kg	black matt finish
LOF200N	Ø50xH.202 cm	3x E27	16.0 kg	nickel finish
LOF200BR	Ø50xH.202 cm	3x E27	16.0 kg	brass finish
LOF200BRBUR	Ø50xH.202 cm	3x E27	16.0 kg	brass burnished finish
LOF200NA	Ø50xH.202 cm	3x E27	16.0 kg	nickel aged finish



The lanterns are available in 4 different types of glass: bronze, clear satin, grey and iridescent.  
All floor lamps are supplied with a floor dimmer.

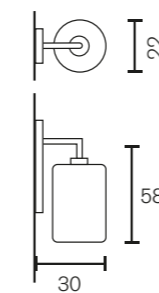
## Table Lamp

Art.nr.	Dimensions	Light bulb	Weight	Finish
LOT75BLM	L.35xW.22xH.76 cm	1x E27	8.0 kg	black matt finish
LOT75N	L.35xW.22xH.76 cm	1x E27	8.0 kg	nickel finish
LOT75BR	L.35xW.22xH.76 cm	1x E27	8.0 kg	brass finish
LOT75BRBUR	L.35xW.22xH.76 cm	1x E27	8.0 kg	brass burnished finish
LOT75NA	L.35xW.22xH.76 cm	1x E27	8.0 kg	nickel aged finish



## Wall Lamp

Art.nr.	Dimensions	Light bulb	Weight	Finish
LOW60BLM	L.22xW.30xH.58 cm	1x E27	4.0 kg	black matt finish
LOW60N	L.22xW.30xH.58 cm	1x E27	4.0 kg	nickel finish
LOW60BR	L.22xW.30xH.58 cm	1x E27	4.0 kg	brass finish
LOW60BRBUR	L.22xW.30xH.58 cm	1x E27	4.0 kg	brass burnished finish
LOW60NA	L.22xW.30xH.58 cm	1x E27	4.0 kg	nickel aged finish



The lanterns are available in 4 different types of glass: bronze, clear satin, grey and iridescent.  
All table lamps are delivered with a table dimmer.

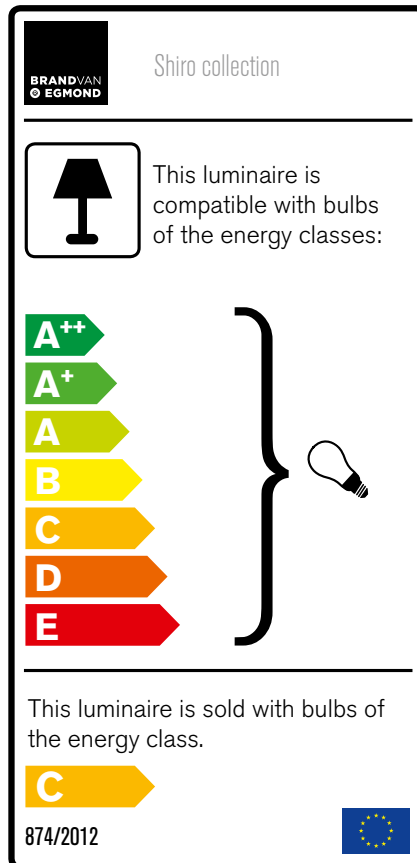
BRAND VAN EGMOND B.V. Nikkelstraat 41, 1411 AH Naarden, the Netherlands

+31 (0)35 692 12 59

+31 (0)35 691 17 25

info@brandvanegmond.com

www.brandvanegmond.com



BRAND VAN EGMOND Shiro collection


This luminaire is compatible with bulbs of the energy classes:

A++  
A+  
A  
B  
C  
D  
E

This luminaire is sold with bulbs of the energy class.

C

874/2012



## Cleaning instruction

1. Cleaning by expert is advised.
2. Cut power before cleaning.
3. Clean with a soft dry cloth only or use a feather duster.
4. When using cleaning agent use a multi-surface spray cleaner on a soft cloth. Do not use abrasive cloths or substances and always read the label of any product you wish to use on or near a lamp by BRAND VAN EGMOND.